

SINGER
51W54

Form 1972w
Rev. (450)
Printed in U. S. A.

LIST OF PARTS



SINGER[®]

MACHINE No. 51w54

THE SINGER MANUFACTURING COMPANY

® & A Trade Mark of THE SINGER MANUFACTURING COMPANY

From the library of: Diamond Needle Corp

INSTRUCTIONS FOR OILING

To ensure easy running and prevent unnecessary wear of the parts which are in movable contact, the machine requires oiling, and when in continuous use, "TYPE B" or "TYPE D" OIL, sold by Singer Sewing Machine Company, should be applied at least twice each day to small felt pad on the side of the bobbin case, and to all oil holes marked "OIL", as instructed in Form 1970w.

"TYPE D" OIL should be used when an oil is desired which will produce a minimum of stain on fabrics, even after a long period of storage.

INDEX

	PAGE
ACCESSORIES	13
BOBBIN WINDER	13
FOOT LIFTER	14
MACHINE No. 51w54	5
NUMERICAL LIST OF PARTS	17
ROLLER PRESSERS	15
WOOD BASE (Oblique)	16
WORK PLATE PLATFORM	16

From the library of: Diamond Needle Corp

INSTRUCTIONS FOR ORDERING

In ordering from this list, use ONLY the PART number in the FIRST column.

The number stamped on a Sewing Machine Part is the number of the Single Part only, except when the part includes Set Screws, Clamping Screws, Studs and Rollers Spun on, Small Wires riveted, or Parts soldered together, etc., which it is necessary to furnish in combination.

Every combination of parts sent out has its specific number which, although not stamped on Parts (except in above case), must be used when ordering the combination.

Each number always indicates the SAME PART in whatever list it appears, or for whatever Machine.

The letters after some of the numbers indicate the style of finish only, as follows:

- A. Hardened, Polished, Nickel Plated and Buffed.
- B. Polished, Nickel Plated and Buffed.
- C. Hardened only.
- D. Polished only.
- E. Soft, not polished.
- F. Hardened and Polished.
- H Blued.
- J. Nickel Plated only.
- R. Merlized.
- X. Black Oxide, for Iron and Steel.
- XC. Hardened and Black Oxide, for Iron or Steel.
- Y. Black Nickel Plated only.

These letters MUST BE USED when they appear in the list and AFTER the number, as in the list.

In this series

1 to 1500, 200001 to 201500 and 350001 to 351500 are Screw Numbers.
 1501 to 1800, 201501 to 201800 and 351501 to 351800 are Nut Numbers.
 1801 to 2000, 201801 to 202000 and 351801 to 352000 are Roller Numbers.
 2001 to 50000 and 202001 to 350000 are Numbers of Machine Parts.

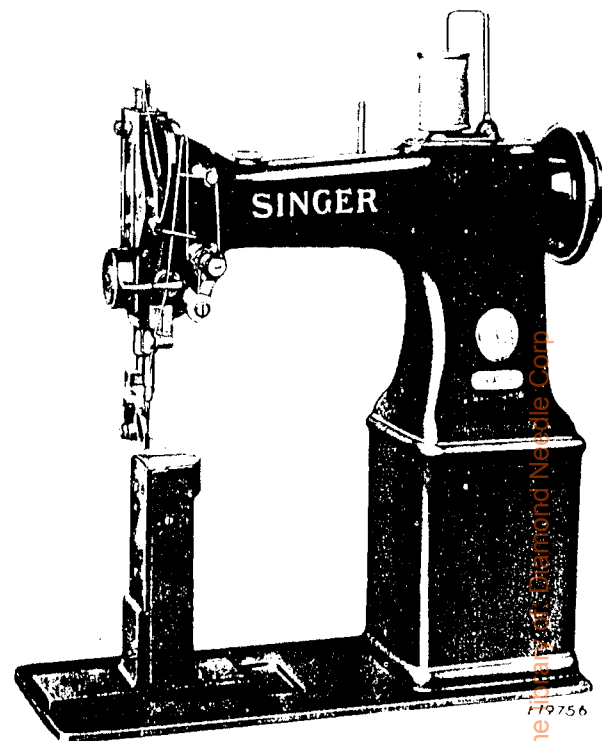
The figures in the second column refer only to the plate in which the illustration of the part is shown and are NOT TO BE USED in ordering.

Two or more numbers over a cut indicate that the difference between such parts is not visible in an illustration.

Parts marked with an asterisk (*) are furnished only when repairs are made at the factory.

LIST OF PARTS COMPLETE

FOR



From the files of Eastman Sewing Machine Corp.

MACHINE No. 51w54

DROP FEED FOOT LIFTER

BALL BEARING ROLLER PRESSER

MAXIMUM STITCH 8 TO THE INCH.

FOR VAMPING, STITCHING IN GORES,

STITCHING BACK STAYS ON SHOES, ETC.

No.	Plate	Name
*207079	-----	Arm with 202135
*234002	-----	" Base
204235	17624	" " Position Pin (2)
200010E	17624	" " Screw (3)
202005	17624	" " Washer (3)
203091	17684	" Cap
200278H	17684	" " Screw

No.	Plate	Name
202248	17684	Arm Cap Screw Washer
203089	17684	" " Spool Holder Base
203090	17684	" " " " " 203089 with 200079H and 204296
200585H	17684	Arm Cap Spool Holder Base Screw
204296	17684	" " " " Wire
200079H	17684	" " " " " Hinge Screw
203092	17684	Arm Cap and Spool Holder complete, Nos. 203090, 203091 and two 200585H
10554	17624	Arm Position Pin (2)
200010E	17624	" Screw (3)
202005	17624	" " Washer (3)
202249	17684	" Shaft with 224392 and 350431E
240802	17684	" " Bushing (back) with 202244
202244	17684	" " " " Oil Packing (wick)
207080	17684	Arm Shaft Bushing (front) with 202244
202244	17684	" " " " Oil Packing (wick)
200502H	17684	Arm Shaft Bushing (front) Oil Packing Thumb Screw
200338C	17684	Arm Shaft Bushing Set Screw (2)
234003	17624	" " Connection Belt
202635	17624	" " " " Pulley with 200327C, 200602C and two 202253
200602C	17624	Arm Shaft Connection Belt Pulley Position Screw
200327C	17624	Arm Shaft Connection Belt Pulley Set Screw
202253	17624	Arm Shaft Connection Belt Pulley Spring Flange
224392	17684	Arm Shaft Oil Packing (wick)
350431E	17684	" " " " Stop Screw
244063	17684	Balance Wheel (disc) (belt groove 2-1/8 in. diam.) with 200328C and 200335C
200328C	17684	Balance Wheel Position Screw
200335C	17684	" " Set Screw
*234004	-----	Bed
202258	17624	" Hinge Connection (2)
200570E	17624	" " " " Screw (4)
233939	17627	Bobbin
235769	17627	" Case Base with 202056, 203211 to 203213 and 203216
203211	17627	Bobbin Case Base Latch
*202056	-----	" " " " Pin
203212	17627	" " " " Plunger
203213	17627	" " " " Spring
241676	17627	" " Cap with 200594C, 200984C, 235771, 241674, 241675 and two 350405C
234079	17642	Bobbin Case Lever
234065	17642	" " " Driving Block
200076D	17642	" " " " Screw
201272C	17642	" " " Hinge Screw
241674	17627	" " Oiling Felt

No.	Plate	Name
241675	17627	Bobbin Case Oiling Felt Retainer
350405C	17627	" " " " " Screw
235771	17627	" " Tension Spring
200984C	17627	" " " " Regulating Screw
200594C	17627	Bobbin Case Tension Spring Screw
203216	17627	" " Washer (cloth)
241677	17627	Bobbin Case complete, Nos. 235769 and 241676
241753	17671	Face Plate with 201650H and 350432XC
202135	17671	" " Position Pin
200462H	17671	" " Thumb Screw
234010	17625	Feed Bar
200641C	17625	" " Hinge Screw (driving)
201518E	17625	" " " " Nut
202276	17625	" " Slide Block
234084	17625	" " " " Crank with 200038C
234011	17625	Feed Bar Slide Block Crank 234084 with 200205F, 201518E and 202276
200038C	17625	Feed Bar Slide Block Crank Pinch Screw
200205F	17625	Feed Bar Slide Block Hinge Screw
201518E	17625	" " " " " Nut
212637	17689	Feed Dog, for 221251
241502	17628	" " Lever with 200098E
200362C	17628	" " " Adjusting Screw
201524E	17628	" " " " " Check Nut
200263D	17628	Feed Dog Lever Hinge Screw
201528D	17628	" " " " " Nut
241503	17628	" " " Post
241504	17628	" " " " 241503 with 200265E, 201525E, 203610, 221212, 241502, 241522, four each 200054E and 200578H
221209	17642	Feed Dog Lever Post Cover (back)
241507	17642	" " " " " (front)
200159F	17642	" " " " " Clamp Screw
200583H	17642	Feed Dog Lever Post Cover (back or front) Screw
241522	17628	Feed Dog Lever Post Cover (side) with 200362C and 201524E
200578H	17628	Feed Dog Lever Post Cover (side) Screw
200024C	17628	Feed Dog Lever Post Screw (2)
203637	17628	" " " " " Washer (2)
221212	17628	" " " " " Support
200054E	17628	" " " " " Screw
200008C	17628	" " " " " (2)
203637	17628	" " " " " Washer (2)
203610	17628	Feed Dog Lever Slide Block
200265E	17628	" " " " " Hinge Screw
201525E	17628	" " " " " " Nut

No.	Plate	Name
200098E	17628	Feed Dog Screw
234015	17624	" Driving Connection with 200049E and 202277
202298	17625	Feed Driving Connection Crank with 200038C
200038C	17625	Feed Driving Connection Crank Pinch Screw
200545C	17624	Feed Driving Connection Hinge Screw
201518E	17624	" " " " " Nut
202277	17624	Feed Driving Connection Oil Packing (wick)
200049E	17624	Feed Driving Connection Pinch Screw
202300	17624	" " Eccentric Regulating Bracket
203098	17624	Feed Driving Eccentric Regulating Bracket 202300 with 202635, two each 201014C and 201525E
201014C	17624	Feed Driving Eccentric Regulating Bracket Hinge Screw
201525E	17624	Feed Driving Eccentric Regulating Bracket Hinge Screw Nut
202301	17624	Feed Driving Eccentric Regulating Bracket Plunger
202595	17624	Feed Driving Eccentric Regulating Bracket Plunger Spring
200607C	17624	Feed Driving Eccentric Regulating Bracket Plunger Spring Stop Screw
201014C	17624	Feed Driving Eccentric Regulating Bracket Stop Screw
201525E	17624	Feed Driving Eccentric Regulating Bracket Stop Screw Nut
200429F	17624	Feed Driving Eccentric Regulating Screw
200383C	17624	Feed Driving Eccentric Regulating Screw Chock Screw
202303	17625	Feed Driving Rock Shaft
234016	17625	" " " " 202303 with 200641C, 201518E and 234010
202305	17625	Feed Driving Rock Shaft Center (2)
200043C	17625	" " " " " Set Screw (2)
234017	17624	Feed Lifting Connection with 200049E and 202277
202307	17684	Feed Lifting Connection Eccentric with 200382C and 200437C
200437C	17684	Feed Lifting Connection Eccentric Position Screw
200382C	17684	Feed Lifting Connection Eccentric Set Screw
200545C	17624	Feed Lifting Connection Hinge Screw
201518E	17624	" " " " " Nut
202277	17624	" " " " Oil Packing (wick)
200049E	17624	Feed Lifting Connection Pinch Screw
234018	17625	" " Rock Shaft
202305	17625	" " " " Center (2)

No.	Plate	Name
200043C	17625	Feed Lifting Rock Shaft Center Set Screw (2)
202310	17684	Feed Regulating Spindle with 202311, 202443 and 202619
*202311	-----	Feed Regulating Spindle Head
202443	17684	" " " " Pin
202619	17684	" " " " Position Pin
203061	17671	Foot Lifter Lifting Lever
200242H	17671	" " " " Hinge Screw
234019	17671	" " " " Rod with 202302
202302	17671	Foot Lifter Lifting Lever Rod Cotter Pin
203058	17671	Foot Lifter Lifting Lever Rod Coupling with 200530C
200530C	17671	Foot Lifter Lifting Lever Rod Coupling Set Screw
233361	17671	Foot Lifter Lifting Lever Spring
200273D	17671	" " " " " Screw
233390	17671	" " " " Washer
*221214	-----	Hook (sewing)
241602	17627	" 221214 with 201253F, 201376C and 241604
241679	17627	Hook and Bobbin Case complete Nos. 241602 and 241677
241550	17642	Hook Bevel Gear Socket, 14 teeth
234024	17642	" " " " Friction Washer
200555H	17642	Hook Bevel Gear Socket Screw
241551	17642	" " Pinion, 28 teeth, with two 200378C
200378C	17642	Hook Bevel Pinion Set Screw
234026	17642	" Driving Shaft
202321	17642	" " " Bushing (3)
200346C	17642	" " " " Set Screw (3)
234027	17642	Hook Driving Shaft Collar with two 200378C (2)
200378C	17642	Hook Driving Shaft Collar Set Screw
234028	17642	" " " Connection Belt Pulley with 202253 and two 201254C
201254C	17642	Hook Driving Shaft Connection Belt Pulley Set Screw
202253	17642	Hook Driving Shaft Connection Belt Pulley Spring Flange
224392	17642	Hook Driving Shaft Oil Packing (wick) (3)
241604	17627	Hook G1b
201376C	17627	" " Hinge Screw
201253F	17627	" " Screw
234069	17642	" Post
241640	-----	" " 234069 with 200555H, 201272C, 202299, 221209, 221215, 221222, 234024, 234065, 234079, 241507, 241550, 241679, two 200076D and eight 200583H

No.	Plate	Name
241641	-----	Hook Post complete, Nos. 200159F, 241504 and 241640
202299	17642	Hook Post Oil Packing (wick)
200008C	17642	" " Screw (2)
203637	17642	" " Washer (2)
221215	17642	" " Slide
221222	17627	" Washer
241669	17631	Needle Bar with 200141F
241557	17631	" " Bushing
241673	17631	" " " 241557 with 241669
350164C	17631	" " " Set Screw
238251	17631	" " Connecting Link
264718	17631	" " " " Oil Guard
200161D	17631	" " " " " "
		Screw
202333	17631	Needle Bar Connecting Link Stud with 202254
202254	17631	Needle Bar Connecting Link Stud Oil Packing (wick)
200374C	17631	Needle Bar Connecting Link Stud Set Screw
200383C	17631	Needle Bar Connecting Link Stud Set Screw
*206691	-----	Needle Bar Connecting Stud
202329	17631	" " " " 206691
		with 200086C and 202330
202330	17631	Needle Bar Connecting Stud Oil Packing (wick)
200086C	17631	Needle Bar Connecting Stud Pinch Screw
202692	17631	" " Crank with 200335C, 200374C, 200383C, 200428C and 202333
241540	17631	Needle Bar Crank 202692 with 202329, 202399, 202400, 238251 and 241549
203172	17631	Needle Bar Crank Friction Washer
200428C	17631	" " " Position Screw
200335C	17631	" " " Set Screw
200141F	17631	" Set Screw
241535	17687	Presser Bar Bushing
200352C	17687	" " " Set Screw
202554	17687	" " Lifter
200653C	17687	" " Hinge Screw
244006	17687	" " Lifting Releasing Lever
		Bracket
200260D	17687	Presser Bar Lifting Releasing Lever Bracket Guide Screw
206608	17687	Presser Bar Lifting Releasing Lever Bracket Spring
202337	17687	Presser Bar Position Guide
202338	17687	" " " " Lever with 200086F
200086F	17687	Presser Bar Position Guide Lever Pinch Screw
200352C	17687	Presser Bar Position Guide Set Screw
236089	17687	" " Spring
202346	17687	" " " Stop Rod
200492H	17687	" " Thumb Screw (pressure regulating)

No.	Plate	Name
200475H	17687	Presser Bar Thumb Screw Thumb Set Screw
202355	17687	Presser Bar Thumb Screw Thumb Set Screw Packing (brass)
201928	17687	Roller Presser, 1-1/4 in. diam., 3/16 in. face (fine) with 1528J, 1766C, 50553C and twenty-four 16232
203426	17687	Roller Presser Arm
203427	17687	" " " 203426 with 201928
233807	17687	" " " Bracket
235088	17687	" " " " Position Collar with 200362C
200117F	17687	Roller Presser Arm Bracket Position Collar Position Screw
200362C	17687	Roller Presser Arm Bracket Position Collar Set Screw
202558	17687	Roller Presser Arm Bracket Spring
202559	17687	" " " " " "
		Stop
200141F	17687	Roller Presser Arm Bracket Spring Stop Screw
200096D	17687	Roller Presser Arm Screw
16232	17687	" " Bull, 3/32 in. diameter
1766C	17687	" " " Cone
202557	17687	" " Bar
50553C	17687	" " Hinge Screw
1528J	17687	" " " " Nut
233808	17687	Roller Presser and Bar complete, Nos. 200096D, 200117F, 202557 to 202559, 203427, 233807, 235088 and two 200141F
241549	17631	Take-up Lever
202399	17631	" " Driving Stud with 202277
202277	17631	Take-up Lever Driving Stud Oil Packing (wick)
202400	17631	Take-up Lever Hinge Stud with 202423
202423	17631	" " " " Oil Packing (wick)
200383C	17631	Take-up Lever Hinge Stud Set Screw
202401	17687	" " Oiling Felt
200132E	17687	" " " " Screw
244048	17686	Tension Disc (back)
244049	17686	" " (front)
202404	17687	" Release Plunger
244061	17686	" " Washer
202407	17686	" Spring
263106	17686	" " Washer
200625F	17686	" Stud with 204925
200061C	17686	" " Set Screw
204925	17686	" " Washer
201572H	17686	" Thumb Nut
244062	17686	Tension complete, Nos. 200625F, 201572H, 202407, 202410, 244048, 244049, 244061 and 263106
202410	17686	Thread Controller Spring
241360	17686	" " " Stop

No.	Plate	Name
200132E	17686	Thread Controller Spring Stop Screw
202412	17684	" Guide (on top of Arm)
202413	17687	" Guide
202414	17686	" Guide
241544	17686	" " Roller
241545	17686	" " " Bracket
200066D	17686	" " " " Screw
200292F	17686	" " " Hinge Screw
241546	17686	Thread Guide complete, Nos. 200292F, 241544 and 241545
200355H	17686	Thread Guide Set Screw
241755	17671	" Lubricator Oil Pad (felt)
241756	17671	" " " " Holder
240439	17671	" " " " Retainer
241758	17671	" " " Reservoir
241759	17671	" " " Wick
350432XC	17671	" " " Screw
201650H	17671	" " " Nut
214838	17671	" " " Washer
241760	17671	Thread Lubricator complete, Nos. 214838, 240439, 241758, 241756, 241758 and 241759
223710	17686	Thread Retainer (lower) with 200397H
241727	17686	" " " Bracket with 202108
202108	17686	Thread Retainer (lower) Bracket Position Pin
350238D	17686	Thread Retainer (lower) Bracket Screw
200583H	17686	" " " " Screw
210993	17686	" " " Sleeve
223944	17686	" " " Spring
210957	17686	" " " Stud
210958	17686	" " " " Collar
200397H	17686	" " " " Set Screw
223711	17686	Thread Retainer (lower) complete, Nos. 210957, 210958, 210993, 223710 and 223844
241728	17686	Thread Retainer and Bracket complete, Nos. 223711, 241727 and two 200583H
202091	17686	Thread Retainer Sleeve
202092	17686	" " " Spring
204058	17686	" " " Stud
200368H	17686	" " " Set Screw
204059	17686	Thread Retainer complete, Nos. 202091, 202092 and 204058
221251	17689	Throat Plate, 50 needle hole, for needle sizes 14 and 15, for 212637
200577AL	17689	Throat Plate Screw (2)

ACCESSORIES

No.	Plate	Name
233939	17627	Bobbin (5)
4822	17635	Roller Presser Hinge Screw Nut Wrench
228476	17685	Screw Driver (Bobbin Case)
128x4	-----	Needles, two each, sizes 11, 12 and 13
228213	17683	Drip Pan with four 3/4 in. wire nails
41400	17685	Machine Rest Pin (wood)
120342	17685	Oiler (copper plated) with 120343
120343	17685	" Spout, 3-1/2 in. long
225498	17685	Screw Driver, 7-1/4 in. long
225554	17685	Wrench

BOBBIN WINDER

(SWINGING AUTOMATIC, RIGHT HAND)

FOR 5/16 INCH ROUND BELT DRIVE

259428	16615	Brake (leather)
259429	16615	" Clamp
200113F	16615	" " " Screw
225453	16615	Frame with 202277 and 259660
225454	16615	" Hinge Pin
202277	16615	" Oil Packing (wick)
259660	16615	" " Well Washer
225455	16615	" Spring
225456	16615	" " Plunger
225368	16615	Pulley with 200380C
200380C	16615	" Set Screw
225381	16615	Spindle
225444	16615	Stop Latch
200056E	16615	" " " Screw
225458	16615	" " " Thumb Lever
225459	16615	" " " " Hinge Stud
225459	16615	" " " " Joint Stud
202478	16615	" " " Trip Lever
200299H	16615	" " " " Hinge Screw
225461	16615	Tension Bracket with 201499H
200082D	16615	" " " " Screw
228026	16615	" " " " Washer
2102	16615	" " " Disc
13710	16615	" " " Spring
201499H	16615	" " " Stud
201572H	16615	" " " " Thumb Nut
225462	16615	Bobbin Winder Tension Bracket com- plete, Nos. 13710, 201572H, 225461 and two 2102
259430	16615	Bobbin Winder and Tension Bracket Base

From the library of: Diamond Needle Corp

No.	Plate	Name
259431	16615	Universal Bobbin Winder complete, Nos. 200056E, 200082D, 200113F, 200299H, 202478, 225368, 225381, 225444, 225453 to 225456, 225458, 225462, 228026, 259428 to 259430, two each 225459 and wood screws 3/4 in., No. 12, R.H.B.

FOOT LIFTER

227952	17685	Foot Lifter Lever (left or right) with 227954
228430	17685	Foot Lifter Lever Chain, 30 in. long, with 202784
227954	17685	Foot Lifter Lever Chain Hook (lower)
202784	17685	" " " " " (upper)
225016	17685	" " " Hinge Pin
227939	17685	" " " Stand with two wood screws 1 in., No. 12
228440	17685	Foot Lifter Lever (left or right) complete, Nos. 225016, 227939, 227952 and 228430

(Other Foot Lifter parts are listed with parts of machine head)

FOOT LIFTER

Furnished in place of 228440 when so ordered

227060	17639	Foot Lifter Lever (on floor) with 225592
227102	17639	Foot Lifter Lever 227060 with 227678 and two 227930
227678	17639	Foot Lifter Lever Chain, 48 in. long, with 202784
225592	17639	Foot Lifter Lever Chain Hook (lower)
202784	17639	" " " " " (upper)
227930	17639	" " " Stand with two wood screws 1 in., No. 12
241620	17639	Foot Lifter Spring

ROLLER PRESSERS

No.	Plate	Name
201926	17635	Roller Presser, 13/16 in. diam., 5/32 in. face (fine) with 1528J, 201699C, 350104C and twenty-eight 206417
201928	17687	Roller Presser, 1-1/4 in. diam., 3/16 in. face (fine) with 1528J, 1766C, 50553C and twenty-four 16232
201931	17688	Roller Presser, 1-1/4 in. diam., 1/8 in. face (fine) with 1528J, 1766C, 50553C and twenty-four 16232
201933	17688	Roller Presser, 1-1/4 in. diam., 1/16 in. face (fine) with 1528J, 1766C, 50553C and twenty-four 16232
201951	17635	Roller Presser, 13/16 in. diam., 3/16 in. face (fine) with 1528J, 201699C, 350104C and twenty-eight 206417
201954	17635	Roller Presser, 13/16 in. diam., 1/8 in. face with 1528J, 201699C, 350104C and twenty-eight 206417
201963	17688	Roller Presser, 1-1/4 in. diam., 3/32 in. face with 1528J, 1766C, 50553C and twenty-four 16232
201971	17688	Roller Presser, 1-1/4 in. diam., 3/32 in. face (fine) with 1528J, 1766C, 50553C and twenty-four 16232
203422	17635	Roller Presser Arm
203426	17687	" " Arm
203423	17635	" " " 203422 with 201926
203427	17687	" " " 203426 with 201928
203430	17688	" " " 203426 with 201931
203431	17688	" " " 203426 with 201933
203432	17635	" " " 203422 with 201951
203434	17688	" " " 203426 with 201963
237816	17635	" " " 203422 with 201954
238527	17688	" " " 203426 with 201971
233807	17687	" " " Bracket
235088	17687	" " " " Position
		Collar with 200362C
200117F	17687	Roller Presser Arm Bracket Position
		Collar Position Screw
200362C	17687	Roller Presser Arm Bracket Position
		Collar Set Screw
202558	17687	Roller Presser Arm Bracket Spring
202559	17687	" " " " " Stop
200141F	17607	" " " " " " Screw
		Screw
200096D	17687	Roller Presser Arm Screw
16232	17687	" " Ball, 3/32 in. diameter
206417	17635	" " " 1/16 in. diameter
1766C	17687	" " " Cone
201699C	17635	" " " Cone
202557	17687	" " Bar

No.	Plate	Name
50553C	17687	Roller Presser Hinge Screw
350104C	17635	" " " " Screw
1528J	17687	" " " " Nut
233808	17687	Roller Presser and Bar complete, Nos. 200096D, 200117F, 202557 to 202559, 203427, 233807, 235088 and two 200141F

WOOD BASE (Oblique)

202259	-----	Bed Hinge Plate
227493	17683	" " " 202259 with two wood screws 7/8 in., No. 12H
225589	17683	Machine Cushion (leather)
228356	17683	Base (wood) (oblique) with two 227493, four 225589 and eight wood screws 1-1/2 in., No. 7

WORK PLATE PLATFORM

213855	17683	Work Plate
200019E	17683	" " Arm Screw
202622	17683	" " " " Washer
213856	17683	" " Bracket
200189C	17683	" " " Screw
200189C	17683	" " Screw
213857	17683	" " Slide (back)
203301	17683	" " " (front)
213858	17683	Work Plate complete, Nos. 200019E, 202622, 203301, 213855 to 213857 and four 200189C

**SINGER Needles should be used
in SINGER Machines
These Needles and their Containers
are marked with the
Company's Trade Mark "SIMANCO.**" 1**

**Needles in Containers marked
"FOR SINGER MACHINES"
are NOT SINGER made needles. 2**

NUMERICAL LIST OF PARTS

No.	Plate	Name
1528J	17687	Roller Presser Hinge Screw Nut, for 201926, 201928, 201931, 201935, 201951, 201954, 201963 and 201971
1766C	17687	Roller Presser Ball Cone, for 201928, 201931, 201933, 201963 and 201971
2102	16615	Bobbin Winder Tension Disc, for 225462
4822	17635	Roller Presser Hinge Screw Nut Wrench
10554	17624	Arm Position Pin
13710	16615	Bobbin Winder Tension Spring, for 225462
16232	17687	Roller Presser Ball, 3/32 in. diam., for 201928, 201931, 201933, 201963 and 201971
41400	17685	Machine Rest Pin (wood)
50553C	17687	Roller Presser Hinge Screw, for 201928, 201931, 201933, 201963 and 201971
120342	17685	Oiler (copper plated) with 120343
120343	17685	" Spout, 3-1/2 in. long for 120342
200008C	17628	Feed Dog Lever Post Support Screw
200008C	17642	Hook Post Screw
200010E	17624	Arm Base Screw
200010E	17624	" Screw
200019E	17683	Work Plate Arm Screw, for 213858
200024C	17628	Feed Dog Lever Post Screw
200038C	17625	" Bar Slide Block Crank Pinch Screw, for 234084
200038C	17625	Feed Driving Connection Crank Pinch Screw, for 202298
200043C	17625	Feed Driving Rock Shaft Center Set Screw
200043C	17625	Feed Lifting Rock Shaft Center Set Screw
200049E	17624	Feed Driving Connection Pinch Screw, for 234015
200049E	17624	Feed Lifting Connection Pinch Screw, for 234017
200054E	17628	Feed Dog Lever Post Support Screw, for 241504
200056E	16615	Bobbin Winder Stop Latch Screw, for 259431
200061C	17686	Tension Stud Set Screw
200066D	17686	Thread Guide Roller Bracket Screw
200076D	17642	Bobbin Case Lever Driving Block Screw, for 241640
200079H	17684	Arm Cap Spool Holder Wire Hinge Screw, for 203090
200082D	16615	Bobbin Winder Tension Bracket Screw, for 259431
200086C	17631	Needle Bar Connecting Stud Pinch Screw, for 202329

From the library of Diamond Needle Corp.

NUMERICAL LIST OF PARTS

No.	Plate	Name
200086F	17687	Presser Bar Position Guide Lever Pinch Screw, for 202338
200096D	17687	Roller Presser Arm Screw, for 233808
200098E	17628	Feed Dog Screw, for 241502
200113F	16615	Bobbin Winder Brake Clamp Screw, for 259431
200117F	17687	Roller Presser Arm Bracket Position Collar Position Screw, for 233808
200132E	17687	Take-up Lever Oiling Felt Screw
200132E	17686	Thread Controller Spring Stop Screw
200141F	17631	Needle Set Screw, for 241669
200141F	17687	Roller Presser Arm Bracket Spring Stop Screw, for 233808
200159F	17642	Feed Dog Lever Post Cover (front) Clamp Screw, for 241641
200161D	17631	Needle Bar Connecting Link Oil Guard Screw
200189C	17683	Work Plate Bracket Screw, for 213858
200189C	17683	" " Screw, for 213858
200205F	17625	Feed Bar Slide Block Hinge Screw, for 234011
200242H	17671	Foot Lifter Lifting Lever Hinge Screw
200260D	17687	Presser Bar Lifting Releasing Lever Bracket Guide Screw
200263D	17628	Feed Dog Lever Hinge Screw
200265E	17628	" " " Slide Block Hinge Screw, for 241504
200273D	17671	Foot Lifter Lifting Lever Spring Screw
200278H	17684	Arm Cap Screw
200292F	17686	Thread Guide Roller Hinge Screw, for 241546
200299H	16615	Bobbin Winder Stop Latch Trip Lever Hinge Screw, for 259431
200327C	17624	Arm Shaft Connection Belt Pulley Set Screw, for 202635
200328C	17684	Balance Wheel Position Screw, for 244063
200335C	17684	Balance Wheel Set Screw, for 244063
200335C	17631	Needle Bar Crank Set Screw, for 202692
200338C	17684	Arm Shaft Bushing Set Screw
200346C	17642	Hook Driving Shaft Bushing Set Screw
200352C	17687	Presser Bar Bushing Set Screw
200352C	17687	" " Position Guide Set Screw
200355H	17686	Thread Guide Set Screw
200362C	17628	Feed Dog Lever Adjusting Screw, for 241522
200362C	17687	Roller Presser Arm Bracket Position Collar Set Screw, for 235088
200368H	17686	Thread Retainer Stud Set Screw
200374C	17631	Needle Bar Connecting Link Stud Set Screw, for 202692
200378C	17642	Hook Bevel Pinion Set Screw, for 241551
200378C	17642	" Driving Shaft Collar Set Screw, for 234027
200380C	16615	Bobbin Winder Pulley Set Screw, for 225368
200382C	17684	Feed Lifting Connection Eccentric Set Screw, for 202307

NUMERICAL LIST OF PARTS

No.	Plate	Name
200583C	17624	Feed Driving Eccentric Regulating Screw Check Screw
200583C	17631	Needle Bar Connecting Link Stud Set Screw, for 202692
200583C	17631	Take-up Lever Hinge Stud Set Screw
200397H	17686	Thread Retainer (lower) Stud Set Screw, for 223710
200428C	17631	Needle Bar Crank Position Screw, for 202692
200429F	17624	Feed Driving Eccentric Regulating Screw
200437C	17684	Feed Lifting Connection Eccentric Position Screw, for 202307
200462H	17671	Face Plate Thumb Screw
200475H	17697	Presser Bar Thumb Screw Thumb Set Screw
200492H	17687	Presser Bar Thumb Screw (pressure regulating)
200502H	17684	Arm Shaft Bushing (front) Oil Packing Thumb Screw
200530C	17671	Foot Lifter Lifting Lever Rod Coupling Set Screw, for 203058
200545C	17624	Feed Driving Connection Hinge Screw
200545C	17624	" Lifting Connection Hinge Screw
200555H	17642	Hook Bevel Gear Socket Screw, for 241640
200570E	17624	Bed Hinge Connection Screw
200577AL	17689	Throat Plate Screw
200578H	17628	Feed Dog Lever Post Cover (side) Screw, for 241504
200583H	17642	Feed Dog Lever Post Cover (back or front) Screw, for 241640
200583H	17686	Thread Retainer (lower) Screw, for 241728
200585H	17684	Arm Cap Spool Holder Base Screw, for 203092
200594C	17627	Bobbin Case Tension Spring Screw, for 241676
200602C	17624	Arm Shaft Connection Belt Pulley Position Screw, for 202635
200607C	17624	Feed Driving Eccentric Regulating Bracket Plunger Spring Stop Screw
200625F	17686	Tension Stud with 204925, for 244062
200641C	17625	Feed Bar Hinge Screw (driving), for 234016
200653C	17687	Presser Bar Lifter Hinge Screw
200984C	17627	Bobbin Case Tension Spring Regulating Screw, for 241676
201014C	17624	Feed Driving Eccentric Regulating Bracket Hinge Screw, for 203098
201014C	17624	Feed Driving Eccentric Regulating Bracket Stop Screw, for 203098
201253F	17627	Hook G1b Screw, for 241602
201254C	17642	" Driving Shaft Connection Belt Pulley Set Screw, for 234028
201272C	17642	Bobbin Case Lever Hinge Screw, for 241640

From the library of Diamond Speed Corp

No.	Plate	Name
201376C	17627	Hook Gib Hinge Screw, for 241602
201499H	16615	Bobbin Winder Tension Stud, for 225461
201518E	17625	Feed Bar Hinge Screw Nut, for 234016
201518E	17625	" " Slide Block Hinge Screw Nut, for 234011
201518E	17624	Feed Driving Connection Hinge Screw Nut
201518E	17624	Feed Lifting Connection Hinge Screw Nut
201524E	17628	Feed Dog Lever Adjusting Screw Check Nut, for 241522
201525E	17628	Feed Dog Lever Slide Block Hinge Screw Nut, for 241504
201525E	17624	Feed Driving Eccentric Regulating Bracket Hinge Screw Nut, for 203098
201525E	17624	Feed Driving Eccentric Regulating Bracket Stop Screw Nut, for 203098
201528D	17628	Feed Dog Lever Hinge Screw Nut
201572H	16615	Bobbin Winder Tension Stud Thumb Nut, for 225462
201572H	17686	Tension Thumb Nut, for 244062
201650H	17671	Thread Lubricator Screw Nut, for 241753
201699C	17635	Roller Presser Ball Cone, for 201926, 201951 and 201954
201926	17635	Roller Presser, 13/16 in. diam., 5/32 in. face (fine) with 1528J, 201699C, 350104C and twenty-eight 206417, for 203423
201928	17687	Roller Presser, 1-1/4 in. diam., 3/16 in. face (fine) with 1528J, 1766C, 50553C and twenty-four 16232, for 203427
201931	17688	Roller Presser, 1-1/4 in. diam., 1/8 in. face (fine) with 1528J, 1766C, 50553C and twenty-four 16232, for 203430
201933	17688	Roller Presser, 1-1/4 in. diam., 1/16 in. face (fine) with 1528J, 1766C, 50553C and twenty-four 16232, for 203431
201951	17635	Roller Presser, 13/16 in. diam., 3/16 in. face (fine) with 1528J, 201699C, 350104C and twenty-eight 206417, for 203432
201954	17635	Roller Presser, 13/16 in. diam., 1/8 in. face with 1528J, 201699C, 350104C and twenty-eight 206417, for 237816
201963	17688	Roller Presser, 1-1/4 in. diam., 5/32 in. face with 1528J, 1766C, 50553C and twenty-four 16232, for 203434
201971	17688	Roller Presser, 1-1/4 in. diam., 3/32 in. face (fine) with 1528J, 1766C, 50553C and twenty-four 16232, for 238527
202005	17624	Arm Base Screw Washer
202005	17624	" Screw Washer

No.	Plate	Name
*202056	-----	Bobbin Case Base Latch Pin, for 235769
202091	17686	Thread Retainer Sleeve, for 204059
202092	17686	" " Spring, for 204059
202108	17686	" " (Lower) Bracket Position Pin, for 241727
202135	17671	Face Plate Position Pin, for 207079
202244	17684	Arm Shaft Bushing (back) Oil Packing (wick), for 240802
202244	17684	Arm Shaft Bushing (front) Oil Packing (wick), for 207080
202248	17684	Arm Cap Screw Washer
202249	17684	" Shaft with 224392 and 350431E
202253	17624	" " Connection Belt Pulley Spring Flange, for 202635
202253	17642	Hook Driving Shaft Connection Belt Pulley Spring Flange, for 234028
202254	17631	Needle Bar Connecting Link Stud Oil Packing (wick), for 202333
202258	17624	Bed Hinge Connection
202259	-----	" " Plate, for 227493
202276	17625	Feed Bar Slide Block, for 234011
202277	16615	Bobbin Winder Frame Oil Packing (wick), for 225453
202277	17624	Feed Driving Connection Oil Packing (wick), for 234015
202277	17624	Feed Lifting Connection Oil Packing (wick), for 234017
202277	17631	Take-up Lever Driving Stud Oil Packing (wick), for 202399
202298	17625	Feed Driving Connection Crank with 200038C
202299	17642	Hook Post Oil Packing (wick), for 241640
202300	17624	Feed Driving Eccentric Regulating Bracket, for 203098
202301	17624	Feed Driving Eccentric Regulating Bracket Plunger
202302	17671	Foot Lifter Lifting Lever Rod Cotter Pin, for 234019
202303	17625	Feed Driving Rock Shaft, for 234016
202305	17625	" " " " Center
202305	17625	" Lifting Rock Shaft Center
202307	17684	" " Connection Eccentric with 200382C and 200437C
202310	17684	Feed Regulating Spindle with 202311, 202443 and 202619
*202311	-----	Feed Regulating Spindle Head, for 202310
202321	17642	Hook Driving Shaft Bushing
202329	17631	Needle Bar Connecting Stud 206891 with 200086C and 202330, for 241540
202330	17631	Needle Bar Connecting Stud Oil Packing (wick), for 202329
202333	17631	Needle Bar Connecting Link Stud with 202254, for 202692
202337	17687	Presser Bar Position Guide

Firm the Array of Diamond Machine Corp

No.	Plate	Name
202338	17687	Presser Bar Position Guide Lever with 200086F
202346	17687	Presser Bar Spring Stop Rod
202355	17687	" " Thumb Screw Thumb Set Screw Packing (brass)
202399	17631	Take-up Lever Driving Stud with 202277, for 241540
202400	17631	Take-up Lever Hinge Stud with 202423, for 241540
202401	17687	Take-up Lever Oiling Felt
202404	17687	Tension Release Plunger
202407	17686	" Spring, for 244062
202410	17686	Thread Controller Spring, for 244062
202412	17684	" Guide (on top of Arm)
202413	17687	" Guide
202414	17686	" Guide
202423	17631	Take-up Lever Hinge Stud Oil Packing (wick), for 202400
202443	17684	Feed Regulating Spindle Head Pin, for 202310
202478	16615	Bobbin Winder Stop Latch Trip Lever, for 259431
202554	17687	Presser Bar Lifter Nos. 202557 to 202559, for 233808
202557	17687	Roller Presser Bar
202558	17687	" " Arm Bracket Spring
202559	17687	" " " " " Stop
202595	17624	Feed Driving Eccentric Regulating Bracket Plunger Spring
202619	17684	Feed Regulating Spindle Head Position Pin, for 202310
202622	17683	Work Plate Arm Screw Washer, for 213858
202635	17624	Arm Shaft Connection Belt Pulley with 200327C, 200602C and two 202253, for 203098
202692	17631	Needle Bar Crank with 200335C, 200374C, 200383C, 200428C and 202333, for 241540
202784	17639	Foot Lifter Lever Chain Hook (upper), for 227678 and 228430
203058	17671	Foot Lifter Lifting Lever Rod Coupling with 200530C
203061	17671	Foot Lifter Lifting Lever
203089	17684	Arm Cap Spool Holder Base, for 203090
203090	17684	" " " " " 203089 with 200079H and 204296, for 203092
203091	17684	Arm Cap, for 203092
203092	17684	Arm Cap and Spool Holder complete, Nos. 203090, 203091 and two 200585H
203098	17624	Feed Driving Eccentric Regulating Bracket 202300 with 202635, two each 201014C and 201525E
203172	17631	Needle Bar Crank Friction Washer Nos. 203211 to 203213, for 235769
203211	17627	Bobbin Case Base Latch
203212	17627	" " " " Plunger

No.	Plate	Name
203213	17627	Bobbin Case Base Latch Spring
203216	17627	" " Washer (cloth), for 235769
203301	17683	Work Plate Slide (front), for 213858
203422	17635	Roller Presser Arm, for 203423, 203432 and 237816
203423	17635	Roller Presser Arm 203422 with 201926
203426	17687	" " Arm, for 203427, 203430, 203431, 203434 and 238527
203427	17687	Roller Presser Arm 203426 with 201928, for 233808
203430	17688	Roller Presser Arm 203426 with 201931
203431	17688	" " " 203426 with 201933
203432	17635	" " " 203422 with 201951
203434	17688	" " " 203426 with 201963
203610	17628	Feed Dog Lever Slide Block, for 241504
203637	17628	" " " Post Screw Washer
203637	17628	" " " " Support Screw Washer
203637	17642	Hook Post Screw Washer
204058	17686	Thread Retainer Stud, for 204059
204059	17686	Thread Retainer complete, Nos. 202091, 202092 and 204058
204235	17624	Arm Base Position Pin
204296	17684	" Cap Spool Holder Wire, for 203090
204925	17686	Tension Stud Washer, for 200625F
206417	17635	Roller Presser Ball, 1/16 in. diam., for 201926, 201951 and 201954
206608	17687	Presser Bar Lifting Releasing Lever Bracket Spring
*206891	-----	Needle Bar Connecting Stud, for 202329
*207079	-----	Arm with 202135
207080	17684	" Shaft Bushing (front) with 202244
210957	17686	Thread Retainer (lower) Stud, for 223711
210958	17686	Thread Retainer (lower) Stud Collar, for 223711
210993	17686	Thread Retainer (lower) Sleeve, for 223711
212637	17689	Feed Dog, for 221251 Nos. 213855 to 213857, for 213858
213855	17683	Work Plate
213856	17683	" " Bracket
213857	17683	" " Slide (back)
213858	17683	Work Plate complete, Nos. 200019E, 202622, 203301, 213855 to 213857 and four 200189C
214838	17671	Thread Lubricator Screw Washer, for 241760
221209	17642	Feed Dog Lever Post Cover (back), for 241640
221212	17628	Feed Dog Lever Post Support, for 241504
*221214	-----	Hook (sewing), for 241602
221215	17642	" Post Slide, for 241640
221222	17627	" Washer, for 241640
221251	17689	Throat Plate, 50 needle hole, for needle sizes 14 and 15, for 212637
223710	17686	Thread Retainer (lower) with 200397H, for 223711

 Form the Library of: **Needle Corp.**

NUMERICAL LIST OF PARTS

No.	Plate	Name
223711	17686	Thread Retainer (lower) complete, Nos. 210957, 210958, 210993, 223710 and 223844, for 241728
223844	17686	Thread Retainer (lower) Spring, for 223711
224392	17684	Arm Shaft Oil Packing (wick), for 202249
224392	17642	Hook Driving Shaft Oil Packing (wick)
225016	17685	Foot Lifter Lever Hinge Pin, for 228440
225368	16615	Bobbin Winder Pulley with 200380C, for 259431
225381	16615	Bobbin Winder Spindle, for 259431
225444	16615	" " Stop Latch, for 259431 Nos. 225453 to 225456, for 259431
225453	16615	Bobbin Winder Frame with 202277 and 259660
225454	16615	Bobbin Winder Frame Hinge Pin
225455	16615	" " " Spring
225456	16615	" " " Plunger
225458	16615	" " Stop Latch Thumb Lever, for 259431
225459	16615	Bobbin Winder Stop Latch Thumb Lever Hinge Stud, for 259431
225459	16615	Bobbin Winder Stop Latch Thumb Lever Joint Stud, for 259431
225461	16615	Bobbin Winder Tension Bracket with 201499H, for 225462
225462	16615	Bobbin Winder Tension Bracket complete, Nos. 13710, 201572H, 225461 and two 2102, for 259431
225498	17685	Screw Driver, 7-1/4 in. long
225554	17685	Wrench
225589	17685	Machine Cushion (leather), for 228356
225592	17639	Foot Lifter Lever Chain Hook (lower), for 227060
227060	17639	Foot Lifter Lever (on floor) with 225592, for 227102
227102	17639	Foot Lifter Lever 227060 with 227678 and two 227930
227493	17683	Bed Hinge Plate 202259 with two wood screws 7/8 in., No. 12H, for 228356
227678	17639	Foot Lifter Lever Chain, 48 in. long with 202784, for 227102
227930	17639	Foot Lifter Lever Stand with two wood screws 1 in., No. 12, for 227102
227939	17685	Foot Lifter Lever Stand with two wood screws 1 in., No. 12, for 228440
227952	17685	Foot Lifter Lever (left or right) with 227954, for 228440
227954	17685	Foot Lifter Lever Chain Hook (lower), for 227952
228026	16615	Bobbin Winder Tension Bracket Screw Washer, for 259431
228213	17683	Drip Pan with four 3/4 in. wire nails
228356	17683	Base (wood) (oblique) with two 227493, four 225589 and eight wood screws 1-1/2 in., No. 7

No.	Plate	Name
228430	17685	Foot Lifter Lever Chain, 30 in. long, with 202784, for 228440
228440	17685	Foot Lifter Lever (left or right) complete, Nos. 225016, 227939, 227952 and 228430
228476	17685	Screw Driver (Bobbin Case)
233361	17671	Foot Lifter Lifting Lever Spring
233390	17671	" " " Washer
233807	17687	Roller Presser Arm Bracket, for 233808
233808	17687	Roller Presser and Bar complete, Nos. 200096D, 200117F, 202557 to 202559, 203427, 233807, 235088 and two 200141F
233939	17627	Bobbin
*234002	-----	Arm Base
234003	17624	" Shaft Connection Bolt
*234004	-----	Bed
234010	17625	Feed Bar, for 234016
234011	17625	" " Slide Block Crank 234084 with 200205F, 201518E and 202276
234015	17624	Feed Driving Connection with 200049E and 202277
234016	17625	Feed Driving Rock Shaft 202303 with 200641C, 201518E and 234010
234017	17624	Feed Lifting Connection with 200049E and 202277
234018	17625	Feed Lifting Rock Shaft
234019	17671	Foot Lifter Lifting Lever Rod with 202302
234024	17642	Hook Bevel Gear Socket Friction Washer, for 241640
234026	17642	Hook Driving Shaft
234027	17642	" " " Collar with two 200378C
234028	17642	Hook Driving Shaft Connection Belt Pulley with 202253 and two 201254C
234065	17642	Bobbin Case Lever Driving Block, for 241640
234069	17642	Hook Post, for 241640
234079	17642	Bobbin Case Lever, for 241640
234084	17625	Feed Bar Slide Block Crank with 200038C, for 234011
235088	17687	Roller Presser Arm Bracket Position Collar with 200362C, for 233808
235769	17627	Bobbin Case Base with 202056, 203211 to 203213 and 203216, for 241677
235771	17627	Bobbin Case Tension Spring, for 241676
236089	17687	Presser Bar Spring
237816	17635	Roller Presser Arm 203422 with 201954
238251	17631	Needle Bar Connecting Link, for 241540
238527	17688	Roller Presser Arm 203426 with 201971
240439	17671	Thread Lubricator Oil Pad Retainer, for 241760
240802	17684	Arm Shaft Bushing (back) with 202244
241360	17686	Thread Controller Spring Stop
241502	17628	Feed Dog Lever with 200098E, for 241504
241503	17628	" " " Post, for 241504

From the Library of: Harmond Neede Corp

No.	Plate	Name
241504	17628	Feed Dog Lever Post 241503 with 200265E, 201525E, 203610, 221212, 241502, 241522, four each 200054E and 200578H, for 241641
241507	17642	Feed Dog Lever Post Cover (front), for 241640
241522	17628	Feed Dog Lever Post Cover (side) with 200362C and 201524E, for 241504
241535	17687	Presser Bar Bushing
241540	17631	Needle Bar Crank 202692 with 202329, 202399, 202400, 238251 and 241549
241544	17686	Thread Guide Roller, for 241546
241545	17686	" " " Bracket, for 241546
241546	17686	Thread Guide complete, Nos. 200292F, 241544 and 241545
241549	17631	Take-up Lever, for 241540
241550	17642	Hook Bevel Gear Socket, 14 teeth, for 241640
241551	17642	Hook Bevel Pinion, 28 teeth, with two 200378C
241557	17631	Needle Bar Bushing, for 241673
241602	17627	Hook 221214 with 201253E, 201376C and 241604, for 241679
241604	17627	Hook Gib, for 241602
241620	17639	Foot Lifter Spring
241640	----	Hook Post 234069 with 200555H, 201272C, 202299, 221209, 221215, 221222, 234024, 234065, 234079, 241507, 241550, 241679, two 200076D and eight 200563H, for 241641
241641	----	Hook Post complete, Nos. 200159F, 241504 and 241640
241669	17631	Needle Bar with 200141F, for 241673
241673	17631	" " Bushing 241557 with 241669
241674	17627	Bobbin Case Oiling Felt, for 241676
241675	17627	" " " " Retainer, for 241676
241676	17627	Bobbin Case Cap with 200594C, 200984C, 235771, 241674, 241675 and two 350405C, for 241677
241677	17627	Bobbin Case complete, Nos. 235769 and 241676, for 241679
241679	17627	Hook and Bobbin Case complete, Nos. 241602 and 241677, for 241640
241727	17686	Thread Retainer (lower) Bracket with 202108, for 241728
241728	17686	Thread Retainer and Bracket complete, Nos. 223711, 241727 and two 200593H
241753	17671	Face Plate with 201650H and 350432XC
241755	17671	Thread Lubricator Oil Pad (felt), for 241760
241756	17671	Thread Lubricator Oil Pad Holder, for 241760
241758	17671	Thread Lubricator Oil Reservoir, for 241760
241759	17671	Thread Lubricator Oil Wick, for 241760

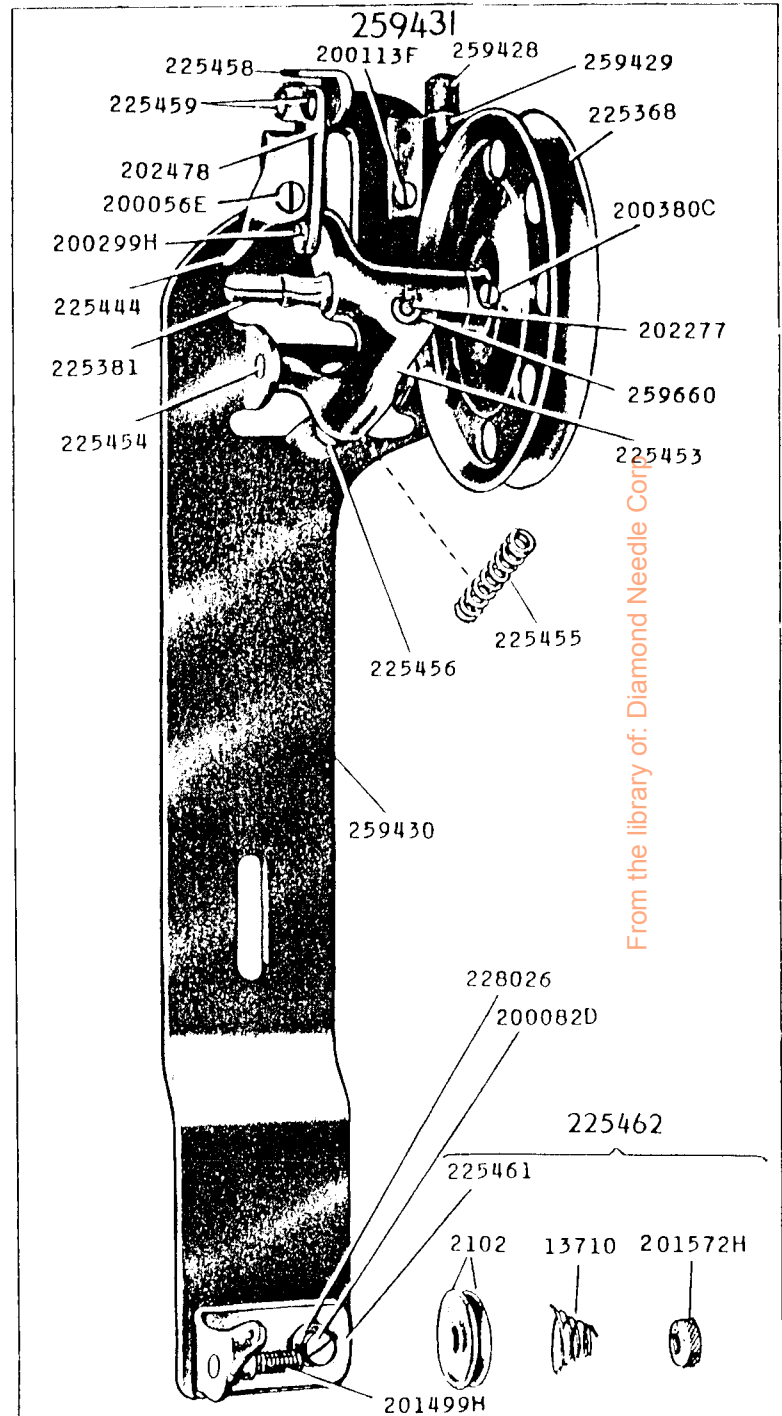
No.	Plate	Name
241760	17671	Thread Lubricator complete, Nos. 214838, 240439, 241755, 241756, 241758 and 241759
244006	17687	Presser Bar Lifting Releasing Lever Bracket
244048	17686	Tension Disc (back), for 244062
244049	17686	" " (front), for 244062
244061	17686	" " Release Washer, for 244062
244062	17686	Tension complete, Nos. 200625F, 201572H, 202407, 202410, 244048, 244049, 244061 and 263106
244063	17684	Balance Wheel (disc) (belt groove 2-1/8 in. diam.) with 200328C and 200335C
		Nos. 259428 to 259430, for 259431
259428	16615	Bobbin Winder Brake (leather)
259429	16615	" " " Clamp
259430	16615	" " and Tension Bracket Base
259431	16615	Universal Bobbin Winder complete, Nos. 200056E, 200082D, 200113F, 200299H, 202478, 225368, 225381, 225444, 225453 to 225456, 225458, 225462, 228026, 259428 to 259430, two each 225459 and wood screws 3/4 in., No. 12, R.H.B.
259660	16615	Bobbin Winder Frame Oil Well Washer, for 225453
263106	17686	Tension Spring Washer, for 244062
264718	17631	Needle Bar Connecting Link Oil Guard
350104C	17635	Roller Presser Hinge Screw, for 201926, 201951 and 201954
350164C	17631	Needle Bar Bushing Set Screw
350238D	17686	Thread Retainer (lower) Bracket Screw
350405C	17627	Bobbin Case Oiling Felt Retainer Screw, for 241676
350431E	17684	Arm Shaft Oil Packing Stop Screw, for 202249
350432XC	17671	Thread Lubricator Screw, for 241753

SINGER Needles should be used
in SINGER Machines
These Needles and their Containers
are marked with the
Company's Trade Mark "SIMANCO.**" 1

Needles in Containers marked
"FOR SINGER MACHINES"
are NOT SINGER made needles. 2

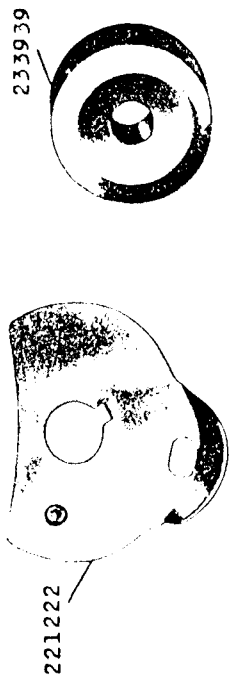
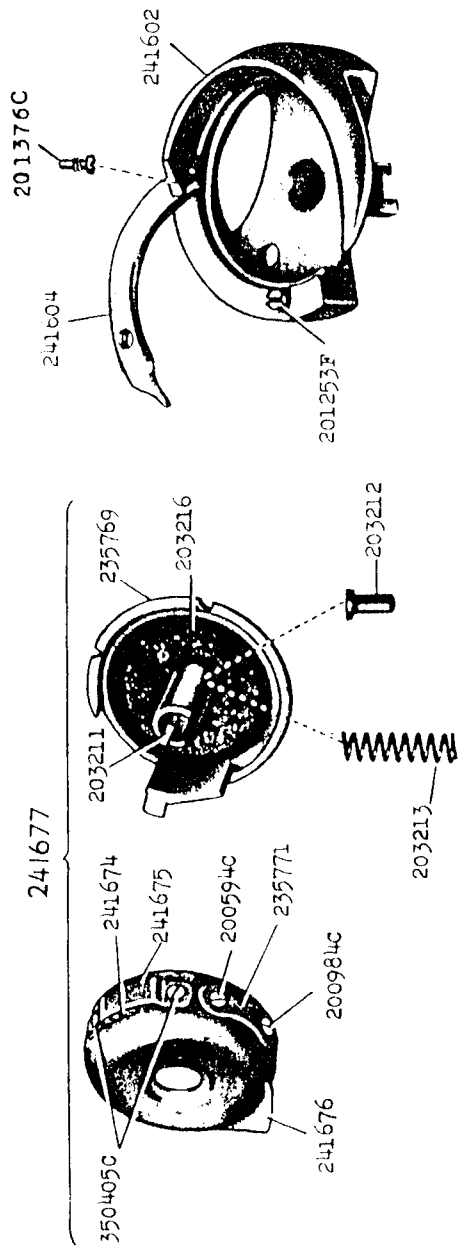
From the library of: The Grand Needle Co.

16615 - 1/2



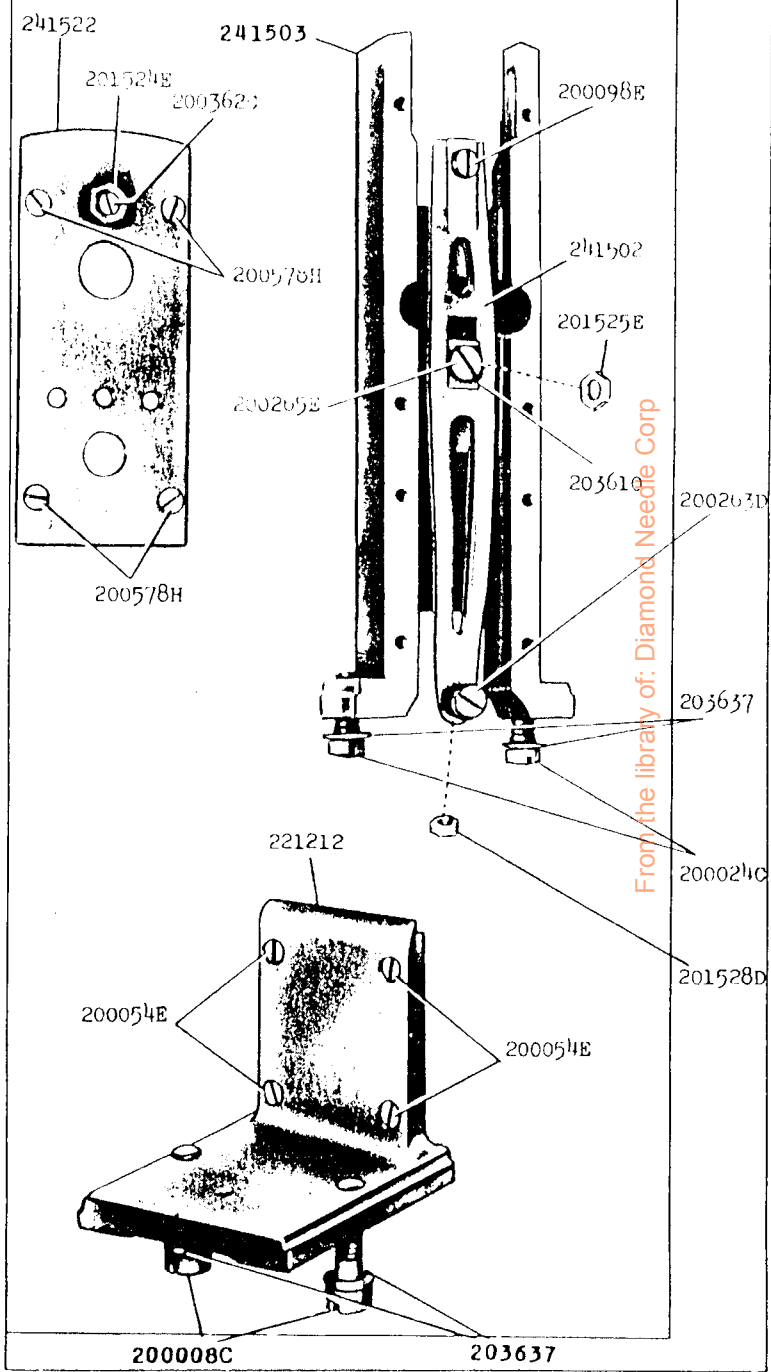
17627

241679



17628 - 1/2

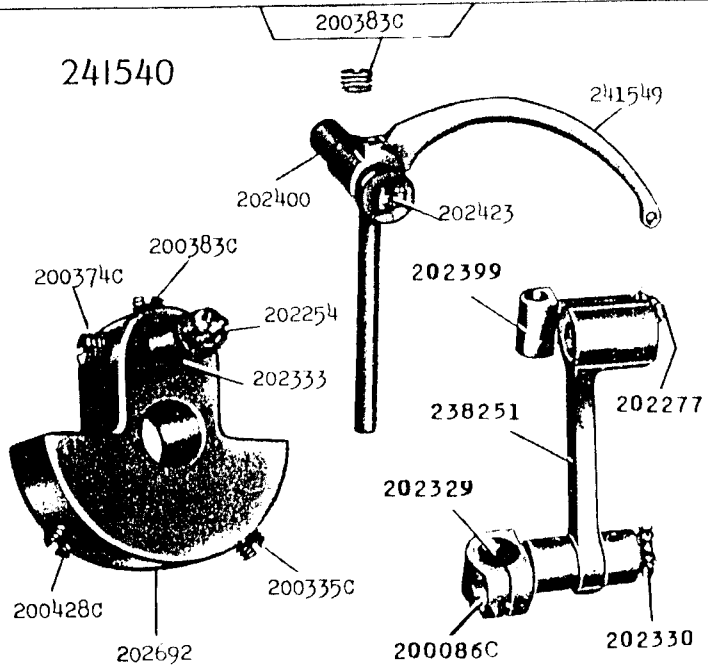
241504



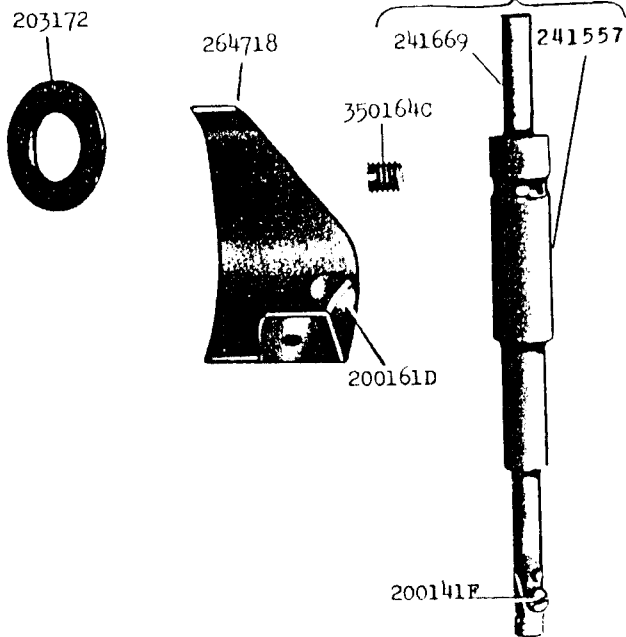
From the library of: Diamond Needle Corp

17631 - 2/3

241540



241673



17635

237816



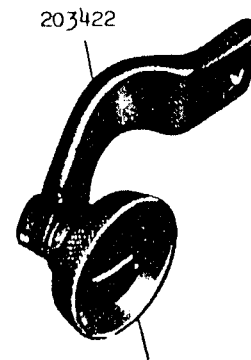
201954-13/16x1/8

203423



201926-13/16x5/32

203432



201951-13/16x3/16

1528J



201699c



206417



350104c

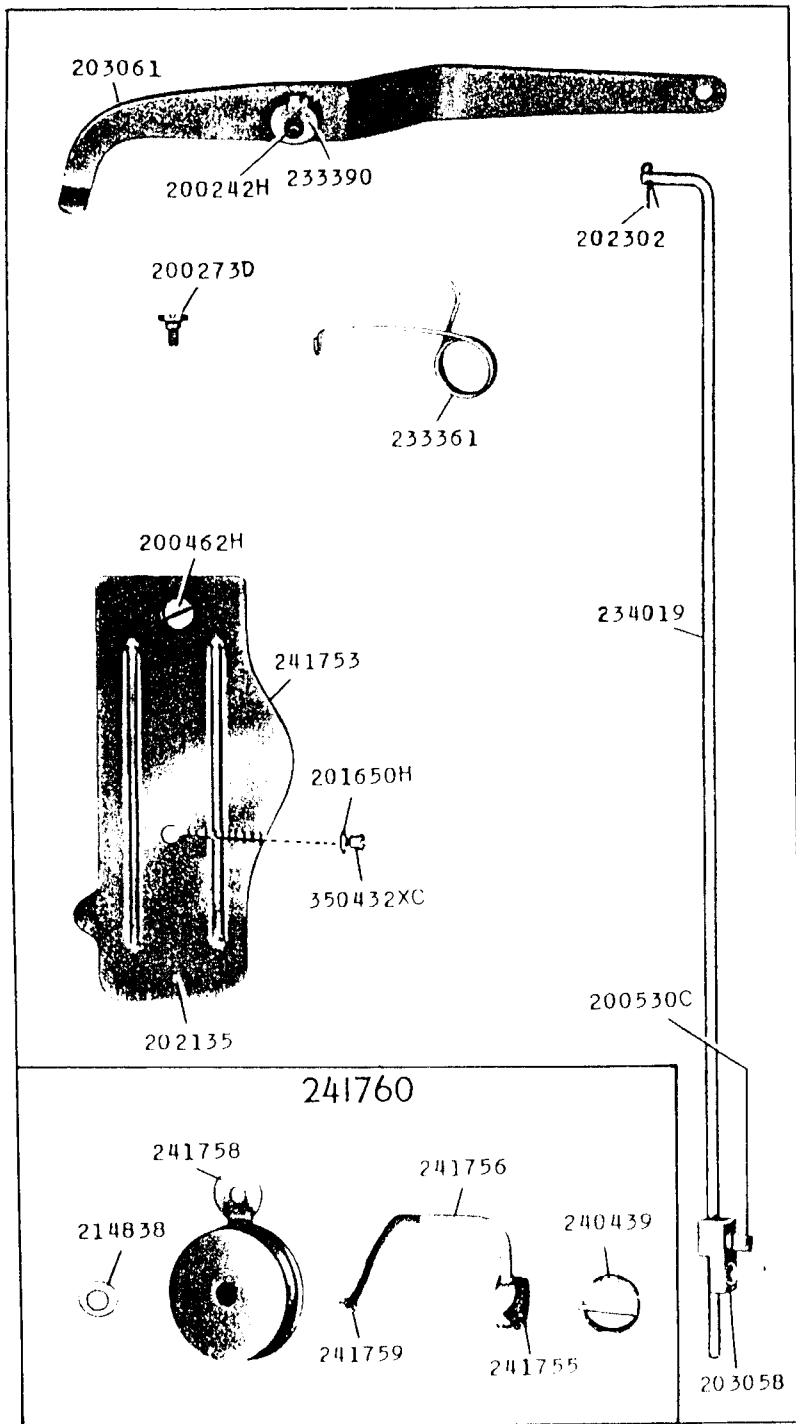


4822

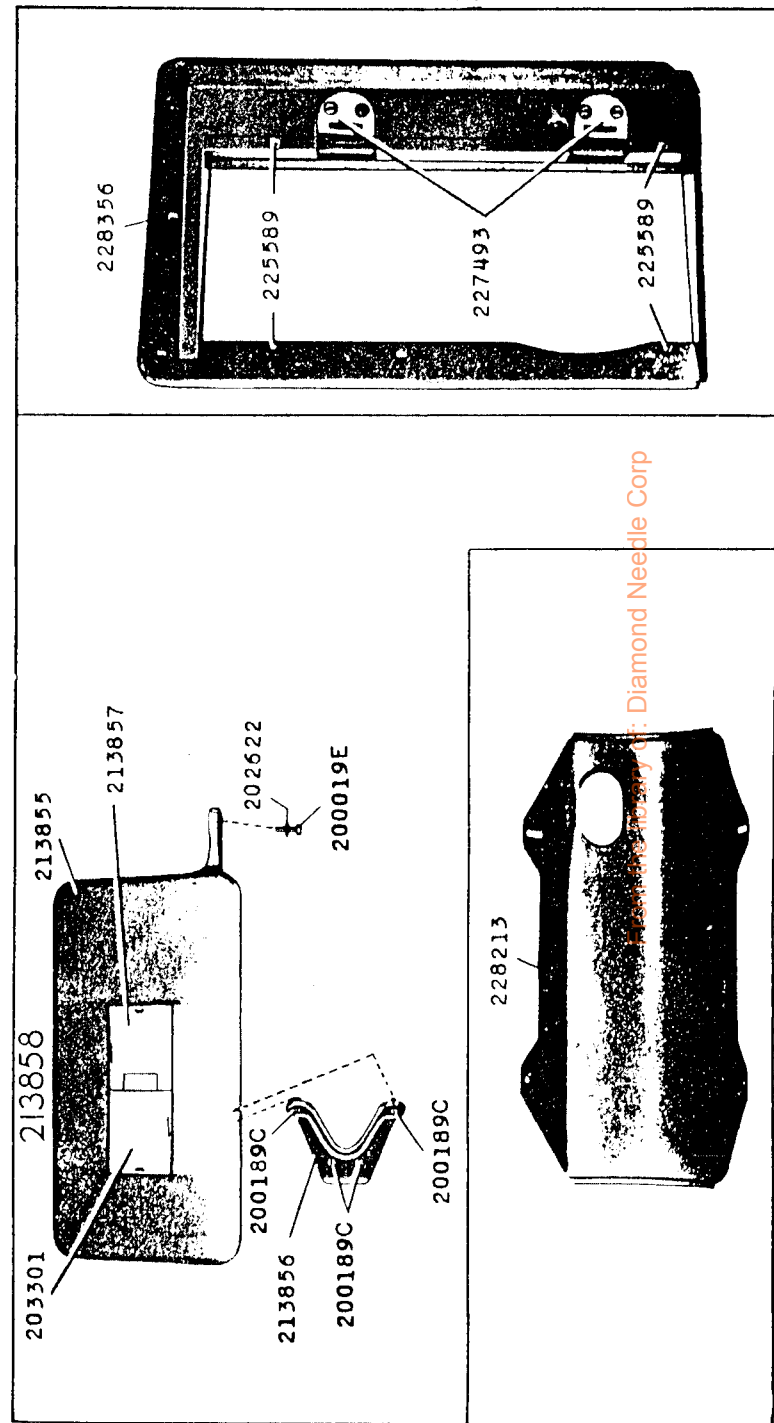


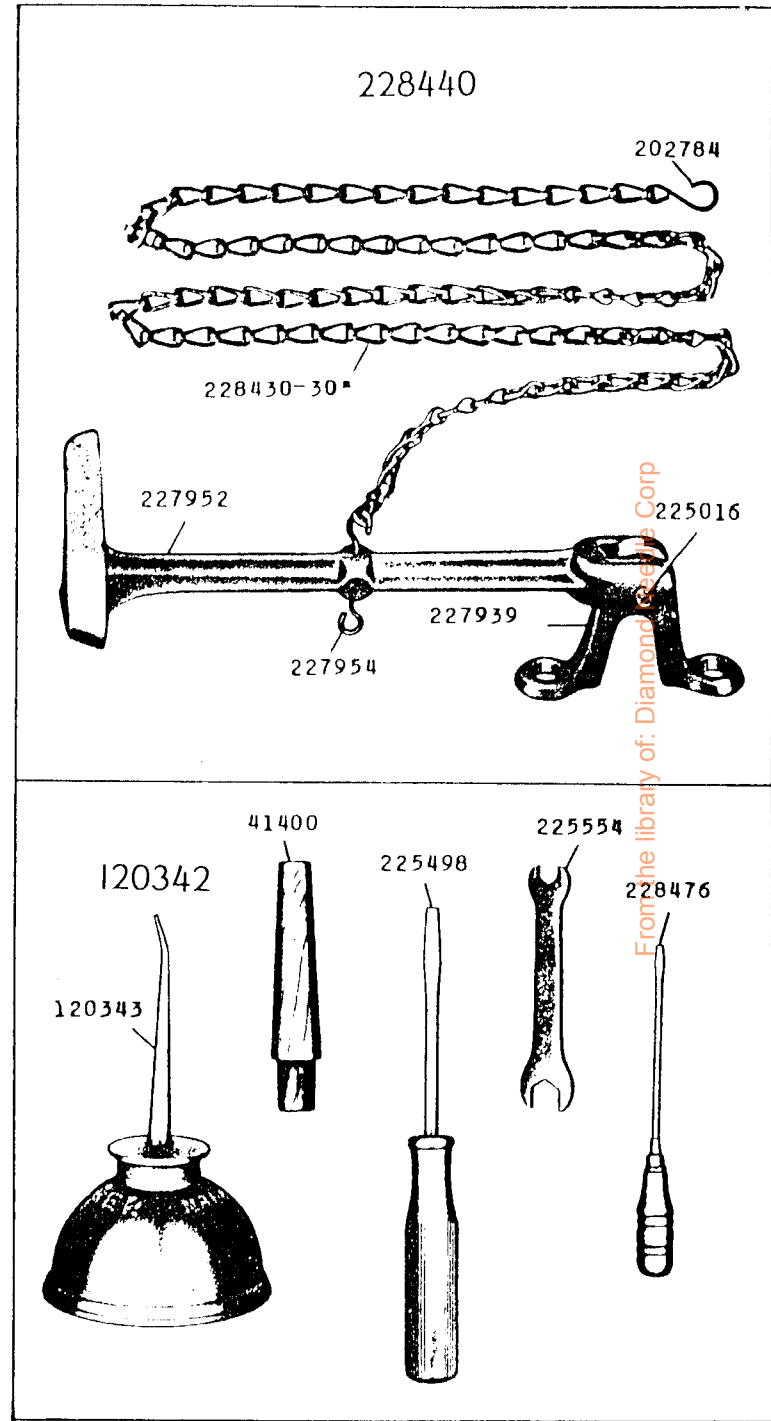
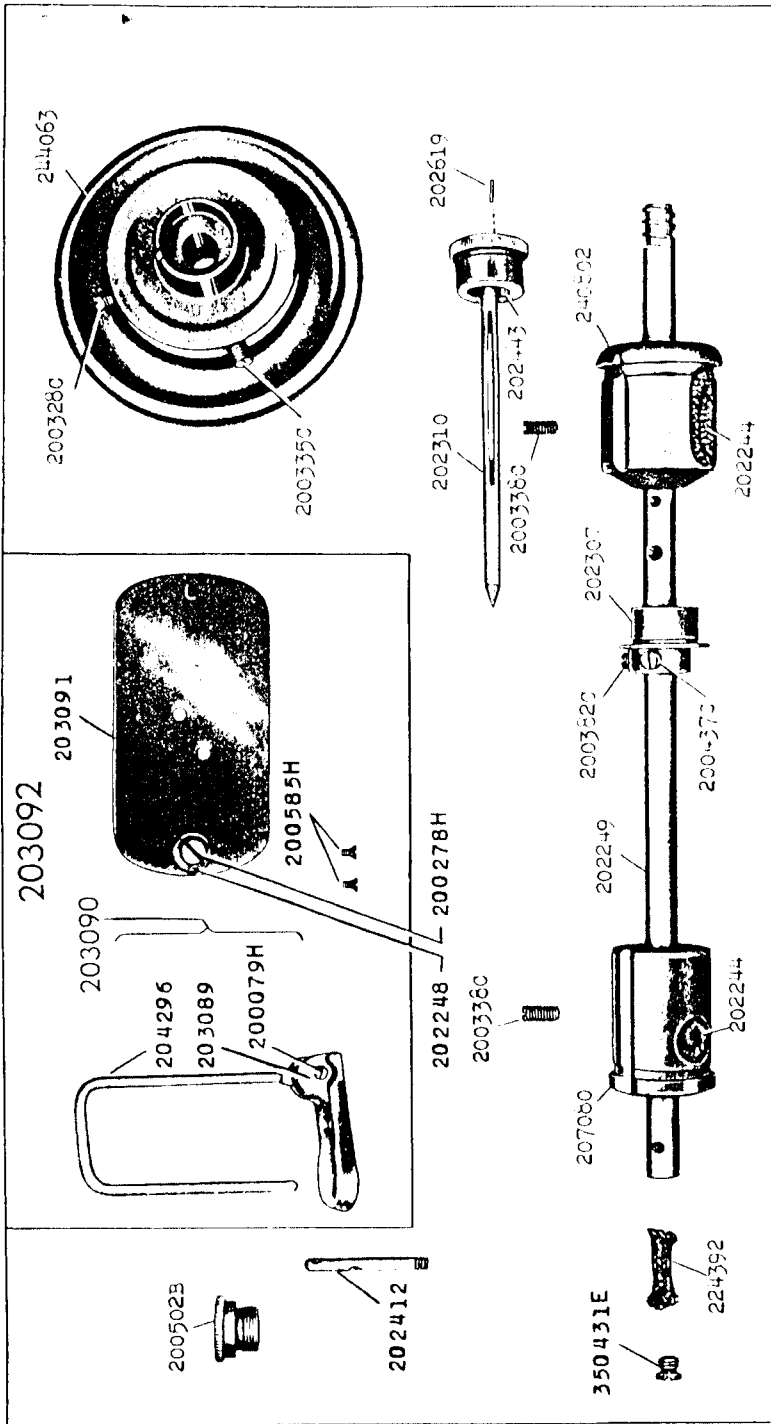
From the library of: Diamond Needle Corp

17671 - 3/8



17683 - 1/7

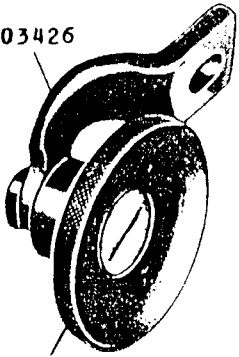




17688

203434

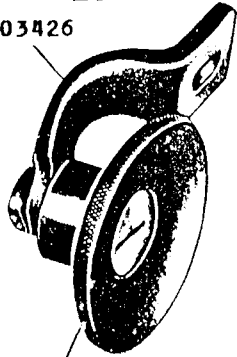
203426



201963-1 1/4 X 5/32

238527

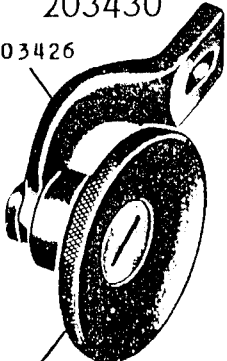
203426



201971-1 1/4 X 3/32

203430

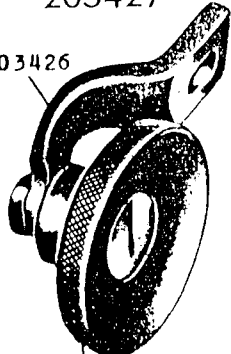
203426



201931-1 1/4 X 1/8

203427

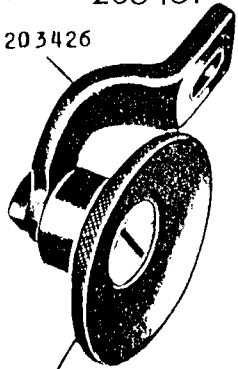
203426



201928
1 1/4 X 3/16

203431

203426



201933-1 1/4 X 1/16

1528J



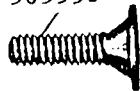
16232



1766C

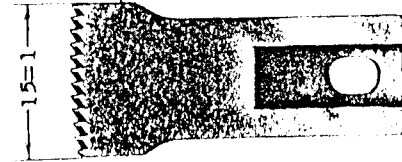


50553C

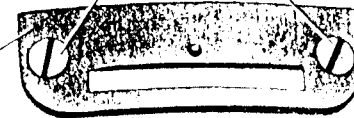


17689

212637



200577AL



221251-50

From the library of: Diamond Needle Corp